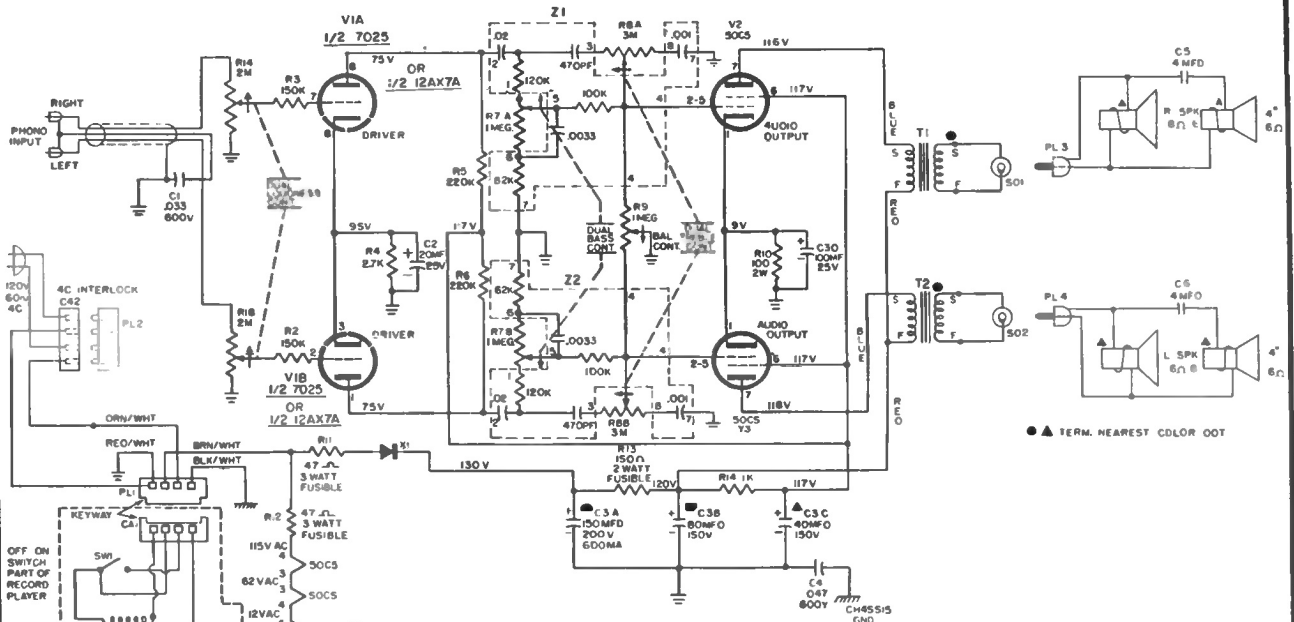


WESTINGHOUSE Chassis V-2523-1, Model H-89ACS1

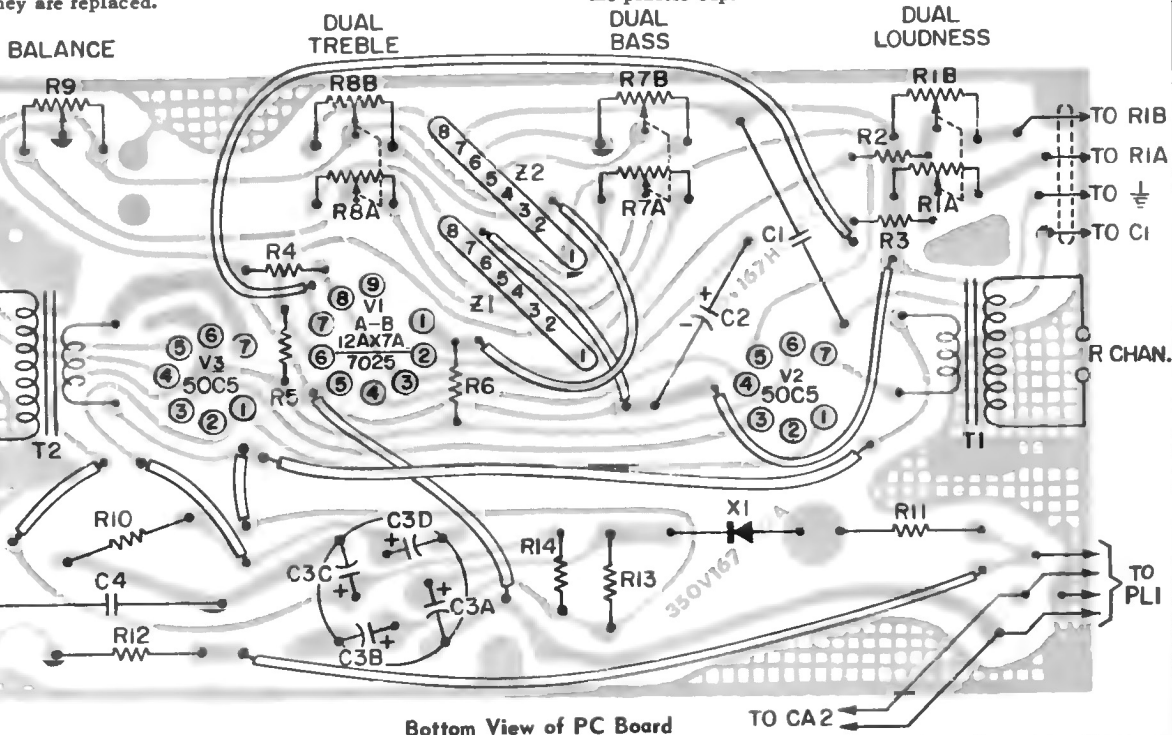


MOTORBOARD REMOVAL

1. Remove 4 rubber feet from bottom of case.
2. Lift entire motor board up and out of the case. Interlock plate screws must be removed before you can lift motor board. Be careful when pulling the motorboard out of the case. See that all components on the bottom of the board clear the case. In some instances it may be necessary to remove the tube service cover and pry the interlock out of its socket.
3. Unsolder the leads connected to phono output jacks. Note the colors and resolder the leads to the same terminals when they are replaced.

CHASSIS REMOVAL FROM MOTORBOARD

1. Remove knobs.
2. Remove 2 screws from control escutcheon.
3. Remove 2 screws from board underneath the control escutcheon.
4. Remove 2 screws located underneath the wooden escutcheon. These are accessible through holes in the escutcheon.
5. Disconnect the amplok and phono plug from the changer.
6. Remove one screw holding power supply section of chassis to motorboard.
7. Remove all chicken bands and tape from wires.
8. Remove the screw holding the line cord, located inside the plastic cup.



Bottom View of PC Board

TO CA2